

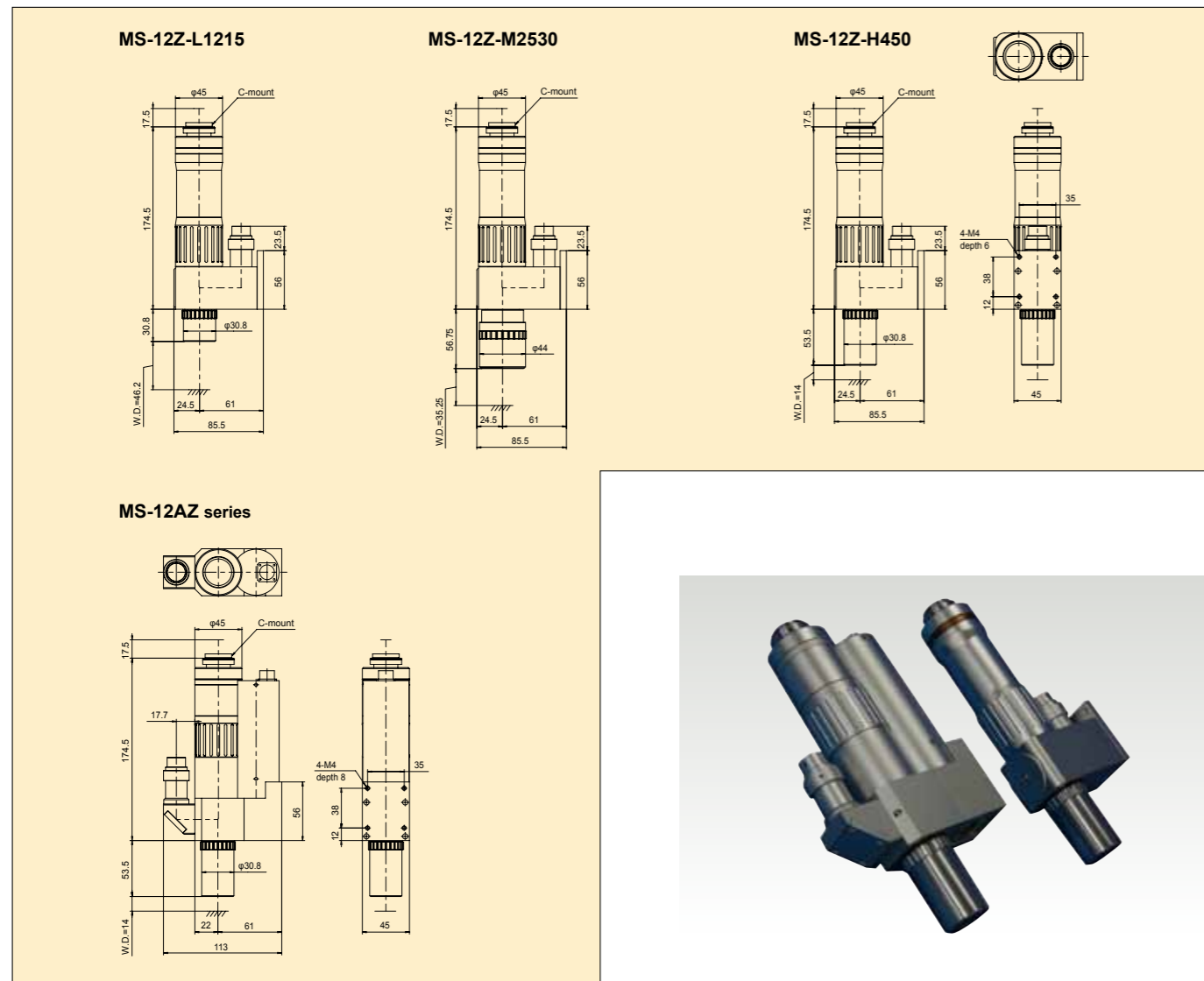
MS12Z

High Magnification Zoom Tube

High Magnification Manual Zoom Tube

High Magnification Motorized Zoom Tube

Compatible with wide range of options at zoom ratio 12X.
High magnification and high resolution inspection can be made with the use of objective lens. Ideal for integrating to systems due to its lightweight and compact design.



Connecting diagram with this lens tube.

Connector is HR10A-10R-12P(HIROSE) and feeding side connector is HR10A-10P-12S.

TELE(high magnification) limit	Pin number	Signal name	Signal explanation
+V	1	+V	CW limit sensor+power supply (DC5-24V)
OUT	2	CCWLS output	TELE limit sensor output (shading OFF)
0V	3	0V	CW limit sensor, signal ground
SUNX PM-F24			
NPN open collector DC30V/50mA or less			
WIDE(low magnification) limit	Pin number	Signal name	Signal explanation
+V	4	+V	CCW limit sensor+power supply (DC5-24V)
OUT	5	CCWLS output	WIDE limit sensor output (shading OFF)
0V	6	0V	CCW limit sensor, signal ground
SUNX PM-R24			
NPN open collector DC30V/50mA or less			
7 NC			
0.72"/1Pulse (FullStep)			
Blue	8	Motor lead	-
Red	9	Motor lead	-
Orange	10	Motor lead	-
Green	11	Motor lead	-
Black	12	Motor lead	-

■ Specification

Recommended driver CRD5103PB or CRD5103P

Model #	MS-12Z-L1215 / MS-12AZ-L1215			MS-12Z-M2530 / MS-12AZ-M2530			MS-12Z-H450 / MS-12AZ-H450		
Magnification	1.25X	7.5X	15X	2.5X	15X	30X	4.16X	25X	50X
WD	46.2mm			35.25mm			14mm		
Focal depth	±305.56μm	±16.27μm	±6.88μm	±76.36μm	±3.51μm	± 2.12μm	±27.5μm	±1.42μm	± 1.36μm
Resolution	11.2μm	2.6μm	1.7μm	5.59μm	1.20μm	0.93μm	3.4μm	0.76μm	0.75μm
N.A	0.03	0.13	0.20	0.06	0.28	0.36	0.1	0.44	0.45
Illumination	Coaxial illumination								
CCD size	under 1/2 inch camera								
Camera mount	C-MOUNT								
Weight (without camera and LED)	1.05kg/1.4kg (Motorized type)			1.3kg/ 1.65kg (Motorized type)			1.15kg/1.5kg (Motorized type)		